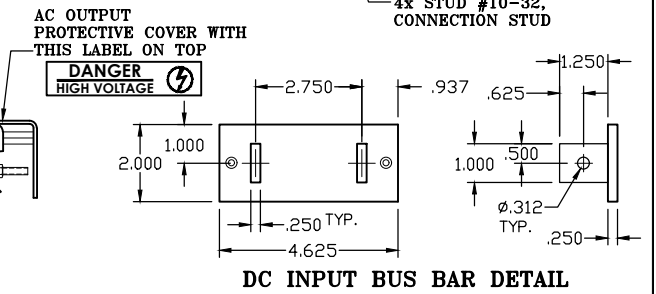
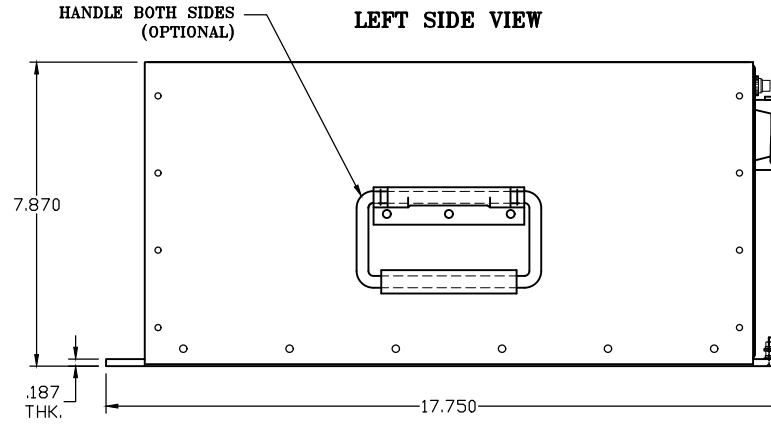
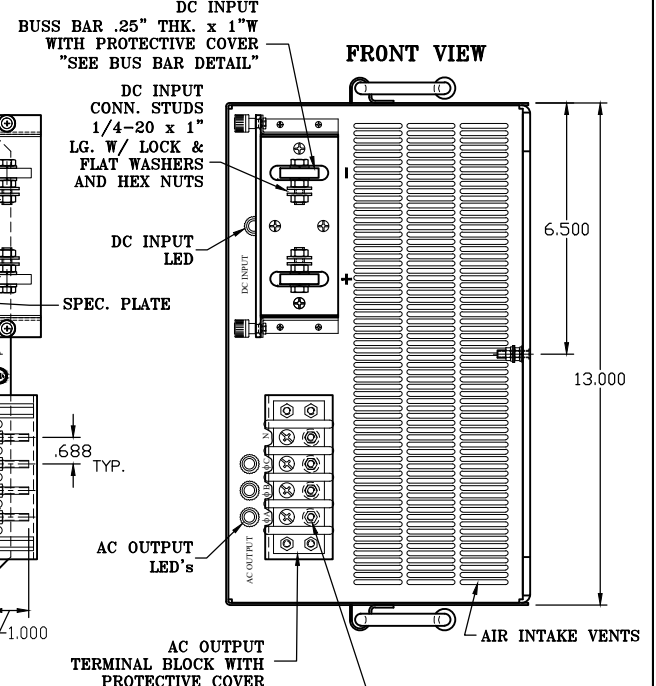
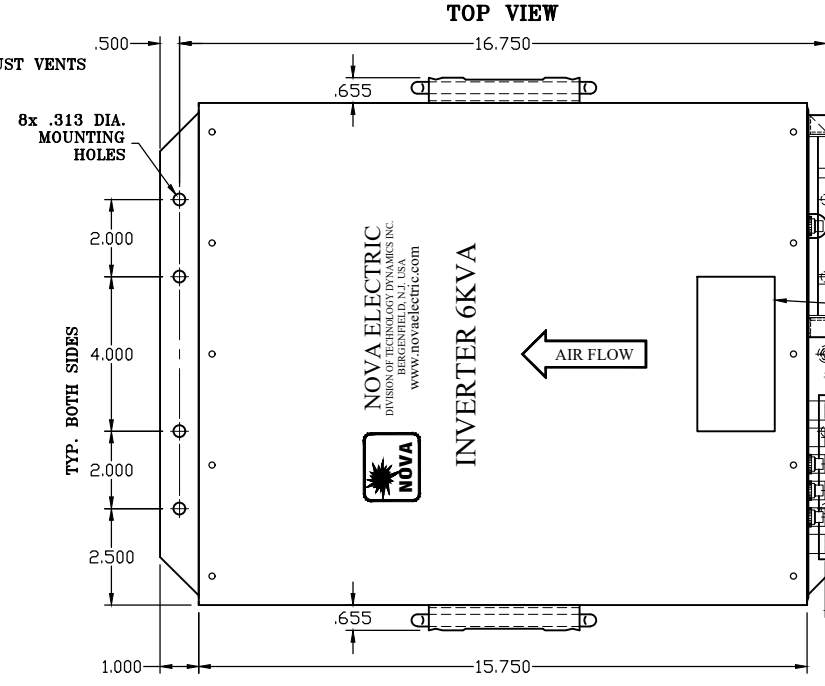
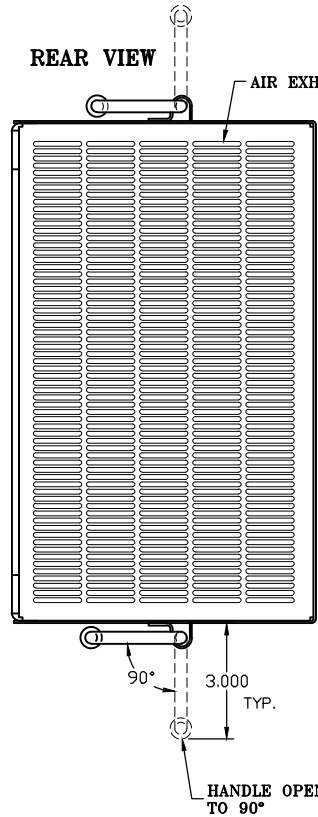


REVISIONS			
LTR	DESCRIPTION	BY	APR DATE
-	-	-	-
-	-	-	-



- NOTES:
1. ALL DIMENSIONS ARE IN INCHES.
 2. ALL UNDIMENSIONED PICTORIAL CONFIGURATIONS ARE FOR REFERENCE ONLY.
 3. FRONT AND REAR MARKING FOR REFERENCE ONLY.
 4. FINISH: YELLOW IRRIDITE, THEN PRIME & PAINT ALL SURFACES AND ALL EDGES - ANSI #61 GRAY SEMI-GLOSS.
 5. SILK-SCREENED IN BLACK EPOXY INK.
 6. UNIT WEIGHT: 33.7 LBS.

MR# 12380

THIS DRAWING IN DESIGN AND DETAIL IS NOVA ELECTRIC PROPERTY AND MUST NOT BE USED EXCEPT IN CONNECTION WITH OUR WORK. ALL RIGHTS OF DESIGN OR INVENTION ARE RESERVED.	THIRD ANGLE PROJECTION		NOVA ELECTRIC A DIV. OF TECHNOLOGY DYNAMICS INC. 100 SCHOOL STREET BERGENFIELD, N.J. 07821-2915
	DRAWN DATE FM 04/30/18		OUTLINE DRAWING, NGLM6K3/4-28-115/200-12380
TOLERANCES UNLESS OTHERWISE SPECIFIED .005 ± .002 .010 ± .005 .015 ± .007 .020 ± .010 .030 ± .015 .040 ± .020 .050 ± .025 .060 ± .030 .070 ± .035 .080 ± .040 .090 ± .045 .100 ± .050 .125 ± .050 .150 ± .050 .200 ± .050 .250 ± .050 .300 ± .050 .400 ± .050 .500 ± .050 .750 ± .050 1.000 ± .050 1.500 ± .050 2.000 ± .050 3.000 ± .050 4.000 ± .050 5.000 ± .050 6.000 ± .050 7.000 ± .050 8.000 ± .050 9.000 ± .050 10.000 ± .050	CHECKED DATE JU 7/3/18	APPROVED DATE AL 7/11/18	C 9812380 -
WWW.NOVAELECTRIC.COM	DO NOT SCALE	SIZE	CAGE: 29019 SHEET: 1 of 1 REV.