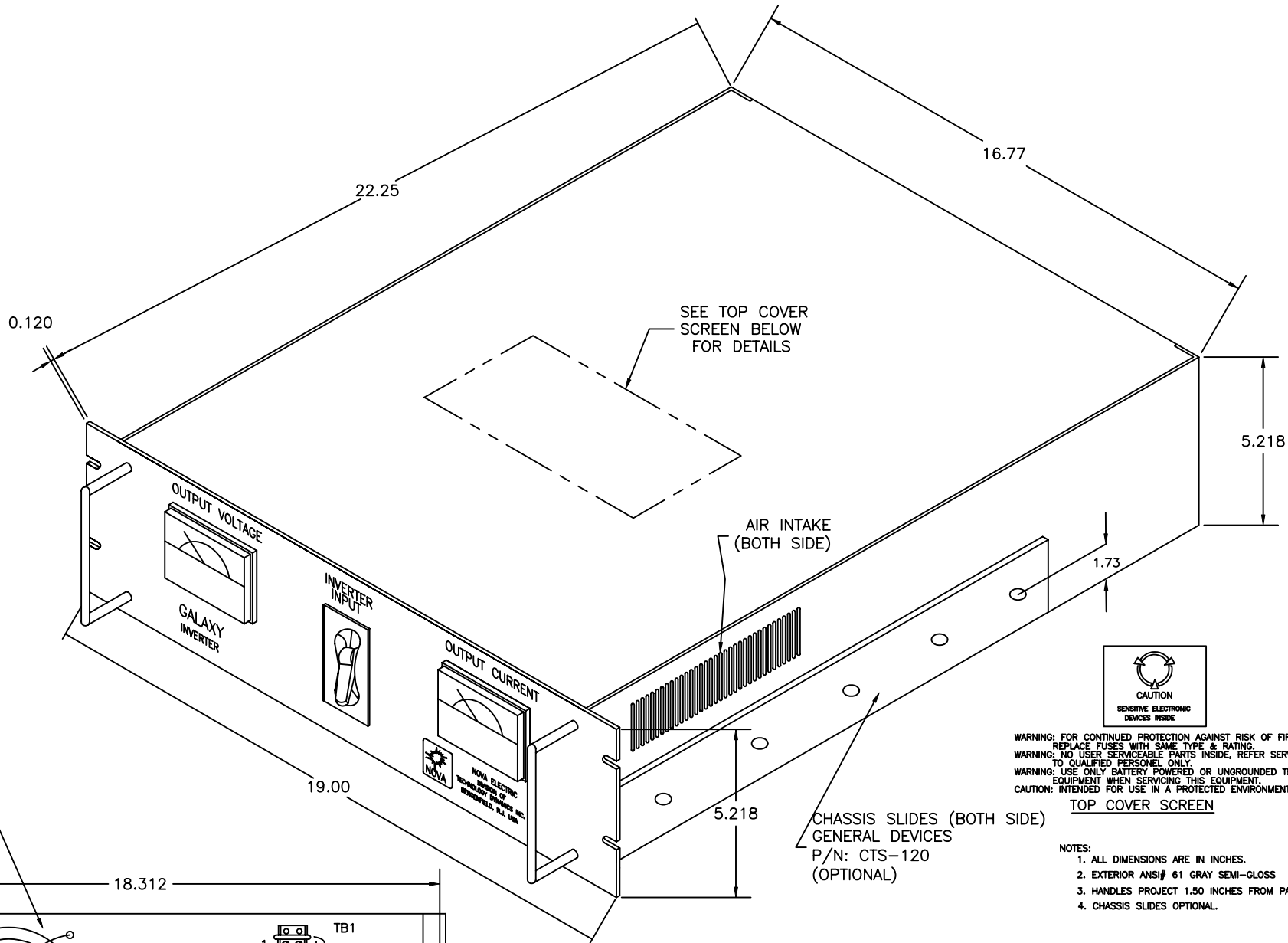


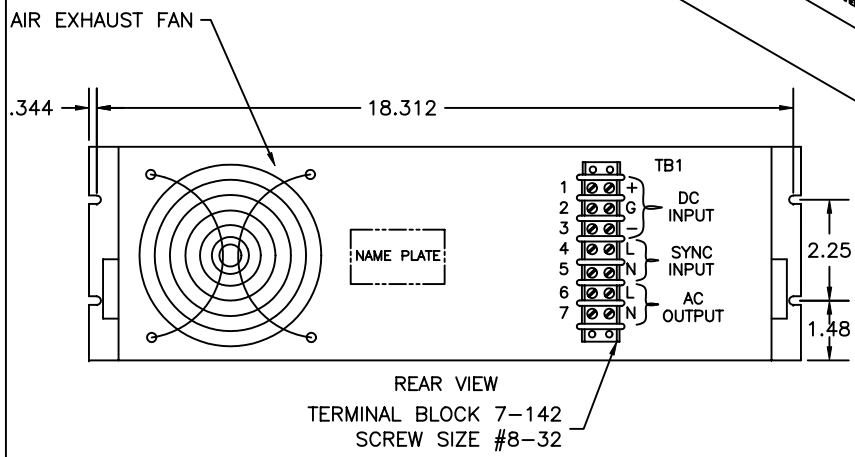
REVISIONS				
SYM	DESCRIPTION	BY	APP	DATE



WARNING: FOR CONTINUED PROTECTION AGAINST RISK OF FIRE, REPLACE FUSES WITH SAME TYPE & RATING.
 WARNING: NO USER SERVICEABLE PARTS INSIDE, REFER SERVICING TO QUALIFIED PERSONNEL ONLY.
 WARNING: USE ONLY BATTERY POWERED OR UNGROUNDED TEST EQUIPMENT WHEN SERVICING THIS EQUIPMENT.
 CAUTION: INTENDED FOR USE IN A PROTECTED ENVIRONMENT.

TOP COVER SCREEN

- NOTES:
1. ALL DIMENSIONS ARE IN INCHES.
 2. EXTERIOR ANSII# 61 GRAY SEMI-GLOSS
 3. HANDLES PROJECT 1.50 INCHES FROM PANEL SURFACE.
 4. CHASSIS SLIDES OPTIONAL.



UNLESS OTHERWISE SPECIFIED DIMENSIONS ARE IN INCHES. TOLERANCES: FRAC. DEC. ANGLES +/-1/64XX=+/-02 +/-2 XXX=+/-005DEG	THIS DRAWING CONTAINS PROPRIETARY INFORMATION AND MAY NOT BE REPRODUCED WITHOUT THE PERMISSION OF NOVA ELECTRIC.
MATERIAL: N/A	DRAWN BY: DATE ZIN 1-15-02
FINISH: N/A	CHECKED BY: DATE MY 1-15-02
	APPROVED BY: DATE
www.novaelectric.com	

NOVA	NOVA ELECTRIC A DIV. OF TECHNOLOGY DYNAMICS INC. 100 SCHOOL STREET BERGENFIELD, N.J. 07621-2915	
	TITLE: OUTLINE DRAWING TYPICAL "GS" 1-2KVA RACK MOUNT INVERTER	
SIZE: C	890839	REV. -
SCALE: NTS		CAGE: 29019 SHEET 1 OF 1