

# RUGGED GALAXY™ SERIES PURE-SINEWAVE DC-AC INVERTERS

Input: 210-280 VDC

Output: 120V or 220V 1Ø

50, 60, or 400 Hz

Power: 500 VA - 35+ KVA



## APPLICATIONS

Utilizing field proven technology, this family of rugged pure sinewave DC-AC Inverters is suitable for harsh environments and can be customized for unique applications including:

- ❑ Shelters
- ❑ Tactical Systems
- ❑ Ground support
- ❑ MIL-STD-810
- ❑ MIL-STD-901
- ❑ Steel Mills
- ❑ Aluminum Mills
- ❑ Crane Applications
- ❑ MIL-STD-461
- ❑ MIL-STD-1399



**NOVA ELECTRIC**  
[www.novaelectric.com](http://www.novaelectric.com)  
[novasales@theallpower.com](mailto:novasales@theallpower.com)



A Leader in DC-AC Inverter Technology since 1966 - 500VA to 500+KVA

MADE IN USA

# RUGGED PURE SINEWAVE DC-AC INVERTER

CAN MEET MIL-STD-810, MIL-STD-1399, MIL-STD-901, MIL-STD-704, & MIL-STD-461 OPTIONALLY

## APPLICATIONS

- Aluminum Mills
- Steel Mills
- Cranes
- Heavy Industry
- Military Applications

## SPECIFICATIONS

### ELECTRICAL

Input: 240VDC (Extended range available)  
 Output: See table  
 Frequency: 50Hz, 60Hz, or 400Hz ( $\pm 0.5\%$ )  
 Voltage Regulation:  $\pm 1.5\%$  NL to FL  
 Frequency Regulation:  $\pm 0.5\%$  NL to FL  
 Reactive Load: 0.75 lead to 0.75 lag  
 Efficiency: Approximately 88% (depending on model)  
 Overload: 125% for 5 minutes  
 Distortion: 5% THD, 3% Single Harmonic  
 Overload: 125% for 5 minutes  
 Overload Protection Range: Automatic overload & short circuit protection  
 Sync & Phase Lock Range:  $\pm 3\text{Hz}$  Typical  
 Transient Response: Approx. 1/4 cycle recovery to 95% of nominal

### ENVIRONMENTAL

Operating Temp.:  $-20^{\circ}$  to  $+50^{\circ}\text{C}$   
 Cooling: By internal DC brushless fan  
 Vibration: Normal shipping and handling  
 Shock: 20g for 11mS half sinewave  
 Humidity: To 95% RH non-condensing  
 EMI: Designed to meet FCC Part 15 Class A.  
 Can meet MIL-STD-461 with additional filtering

## STANDARD FEATURES

- Pure Sinewave Output
- Internal Transient Suppression Filter
- Network for input voltage transients
- High reliability, MTBF exceeds 100,000 hrs
- O.V, O.L, and O.T protected
- MTTR below 30 minutes
- Withstands high reactive load
- Tight voltage and frequency regulation
- Boards are conformal coated

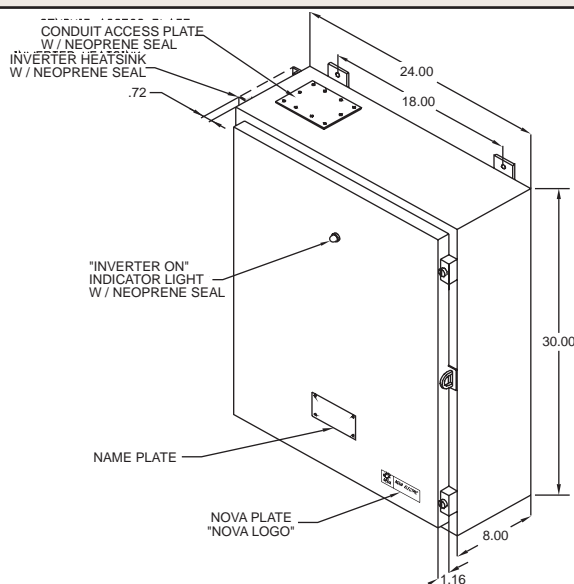
### AVAILABLE OPTIONS

- Ruggedized to meet MIL-STD-810 shock, vibration and humidity ("R" option)
- Wide temperature range  $-40^{\circ}\text{C}$  to  $+71^{\circ}\text{C}$  (with derating)
- Special output voltages and frequencies
- MS Connectors or outlets
- Custom painting and marking
- Handles
- High inrush for motor start
- Transfer switch to alternate AC source
- Chassis slides
- Switchable 50/60 Hz output
- Output fault alarm (relay closure)
- RS232 or SNMP Communication

## MODEL SELECTION

MODELS	OUTPUT VAC	OUTPUT FREQ	OUTPUT POWER	WEIGHT (LBS)	DIMENSIONS H x W x D (Inches)	APPROX. EFFICIENCY
<b>GH5060-240</b>	120	60	500 VA	90	24.00 x 20.75 x 7.15	88%
<b>GH1K60-240</b>	120	60	1 KVA	95	24.00 x 20.75 x 7.15	88%
<b>GH2K60-240</b>	120	60	2 KVA	130	30.00 x 24.00 x 8.00	88%
<b>GH3K60-240</b>	120	60	3 KVA	170	30.00 x 24.00 x 12.00	88%
<b>GH5K60-240</b>	120	60	5 KVA	200	30.00 x 24.00 x 12.00	88%
<b>GH7.5K60-240</b>	120	60	7.5 KVA	200	36.00 x 24.00 x 16.00	88%
<b>GH10K60-240</b>	120	60	10 KVA	260	36.00 x 24.00 x 16.00	88%
<b>GH15K60-240</b>	120	60	15 KVA	350	42.00 x 30.00 x 21.20	88%
<b>GH20K60-240</b>	120	60	20 KVA	550	54.00 x 36.00 x 16.00	88%
<b>GH25K60-240</b>	120	60	25 KVA	700	54.00 x 36.00 x 16.00	88%
<b>GH30K60-240</b>	120	60	30 KVA	900	60.00 x 48.00 x 16.00	C/F
<b>GH35K60-240</b>	120	60	35 KVA	1100	60.00 x 48.00 x 16.00	C/F

## TYPICAL GH2K60-240 CHASSIS



### NOTES:

1. INVERTER CABINET HAS (4) MTG EARS THE BOTTOM (2) CANNOT BE SEEN IN THIS VIEW
2. FINISH: ANSI #61 GREY, SEMIGLOSS
3. ENCLOSURE TYPE: NEMA 12

WEB : [www.novaelectric.com](http://www.novaelectric.com)

E-Mail : [novales@theallpower.com](mailto:novales@theallpower.com)

PHONE : (201) 385-0500 FAX : (201) 385-0702



**NOVA ELECTRIC**

A Division of  
 TECHNOLOGY DYNAMICS, INC.  
 100 School St., Bergenfield NJ 07621



ISO 9001