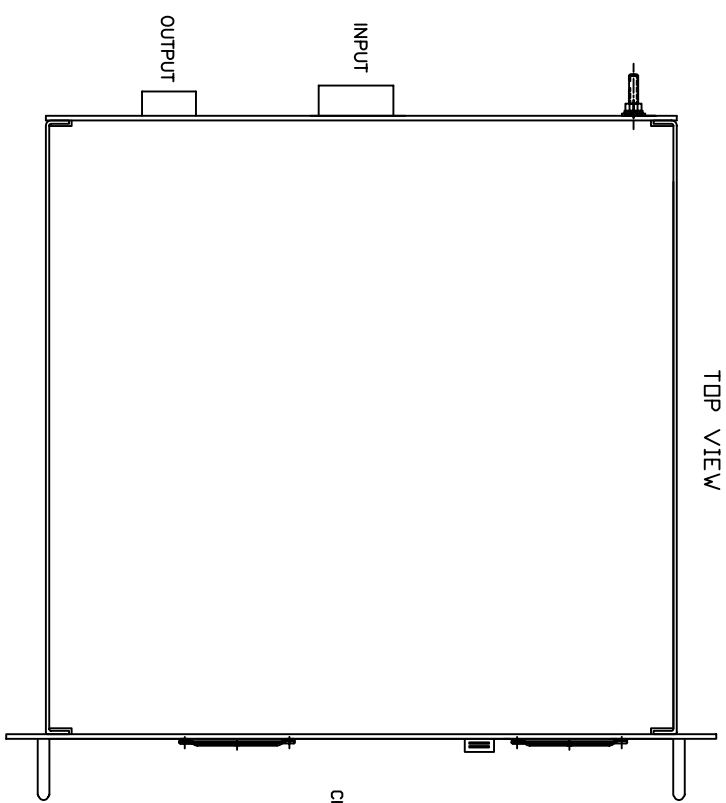
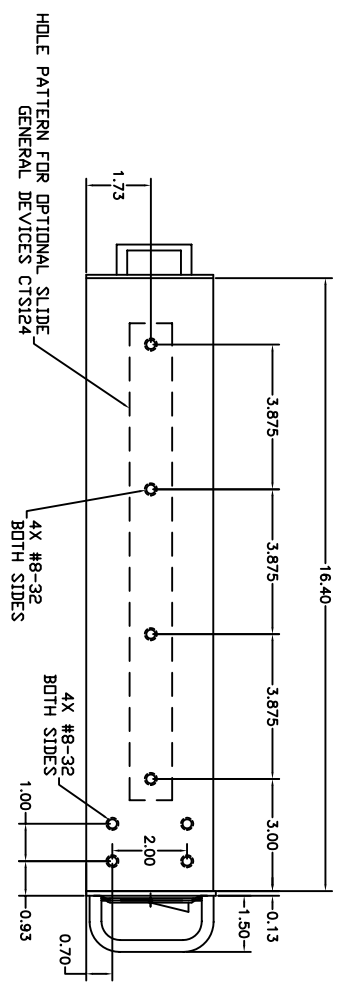
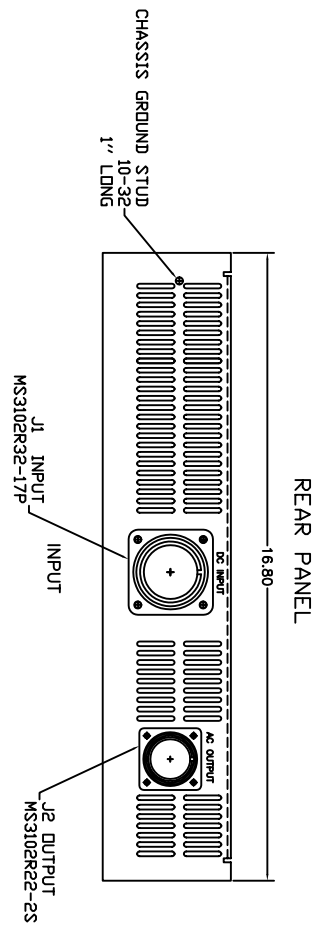
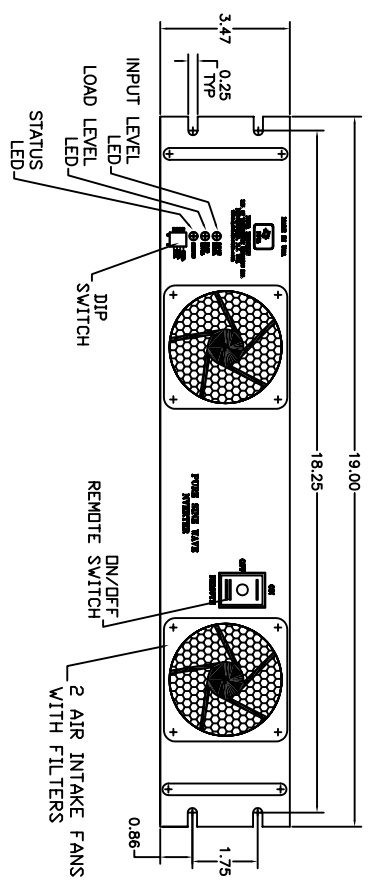


REV	DESCRIPTION	BY	APP	DATE

REVISONS



- NOTES:
- FRONT PANEL COLOR ANSI #61 GRAY SEMI-GLOSS. ALL OTHER SURFACES ARE YELLOW IRRIDITED.
 - WEIGHT: 29 POUNDS EXCLUDING SLIDES



J1 MS3102R32-17P	FUNCTION
PIN A	DC +
PIN B	DC +
PIN C	DC -
PIN D	DC -

J2 MS3102R22-2S	FUNCTION
PIN A	LINE
PIN B	NEUTRAL
PIN C	GND

NOVA ELECTRIC
A DIV. OF EDWARDS DOWNS INC.
100 SCHOOL STREET
BERGENFIELD, N.J. 07821-2915

NOVA

DC-AC INVERTER

DATE: 09/14/06

SIZE: D

Q&E: -

DATE: -

SCALE: -

CODE: 28019

SHEET 1 OF 1

HTTP://WWW.NOVAELECTRIC.COM