

# RUGGED GALAXY™ SERIES SOLID-STATE FREQUENCY CONVERTERS 3 PHASE OUTPUT 1.5 - 4.5KVA



## APPLICATIONS

Utilizing field proven technology, this family of rugged solid-state sinewave frequency converters is suitable for harsh environments and can be customized for unique applications including:

- Shelters
- Tactical Systems
- Shipboard Power
- MIL-STD-810
- MIL-STD-901
- HMMWVs
- Mobile Systems
- Ground support
- MIL-STD-461
- MIL-STD-167



**NOVA ELECTRIC**  
[www.novaelectric.com](http://www.novaelectric.com)  
[novasales@theallpower.com](mailto:novasales@theallpower.com)



A Leader in Frequency Converter Technology since 1966 - 500VA to 500+KVA

MADE IN USA

# RUGGED THREE-PHASE SINEWAVE FREQUENCY CONVERTER

CAN MEET MIL-STD-810, MIL-STD-1399, MIL-STD-901, MIL-STD-704, & MIL-STD-461 OPTIONALLY

## APPLICATIONS

The rugged Galaxy Series Converter is designed to provide years of reliable service in harsh shock, vibration, humidity, and EMI environments. Military applications include HMMVW, UAV, Shipboard, Submarine, Shelter, and Mobile Power Units.

## OPTIONS

- Ruggedization to meet MIL-STD-810 shock, vibration and humidity
- MS Connectors or outlets
- Chassis slides (rack mount models only)
- Frequency Meters
- Elapsed Time Meter
- Power Factor correction available on selected GLFC-Series models.

## ELECTRICAL

Input: Any standard 1Ø or 3Ø (specify)  
 Output: Most standard AC voltages including 115/200, 120/208, 220/380, other voltages available  
 Frequency: 50, 60, or 400Hz (specify)  
 Voltage Regulation:  $\pm 1.5\%$  NL to FL  
 Frequency Regulation:  $\pm 0.5\%$  NL to FL  
 Harmonic Distortion: 3% Typical, 5% Max  
 Power Factor: 0.7 lead to 0.7 lag  
 Efficiency: Approximately 85-95% (depending on model)  
 Overload: 120% typical

## PROTECTIVE FEATURES

Input Circuit Protection: Circuit Breaker / Fuses, Transient Suppressors  
 Output Circuit Protection: Current Limit, Short Circuit

## SPECIFICATIONS

### ENVIRONMENTAL

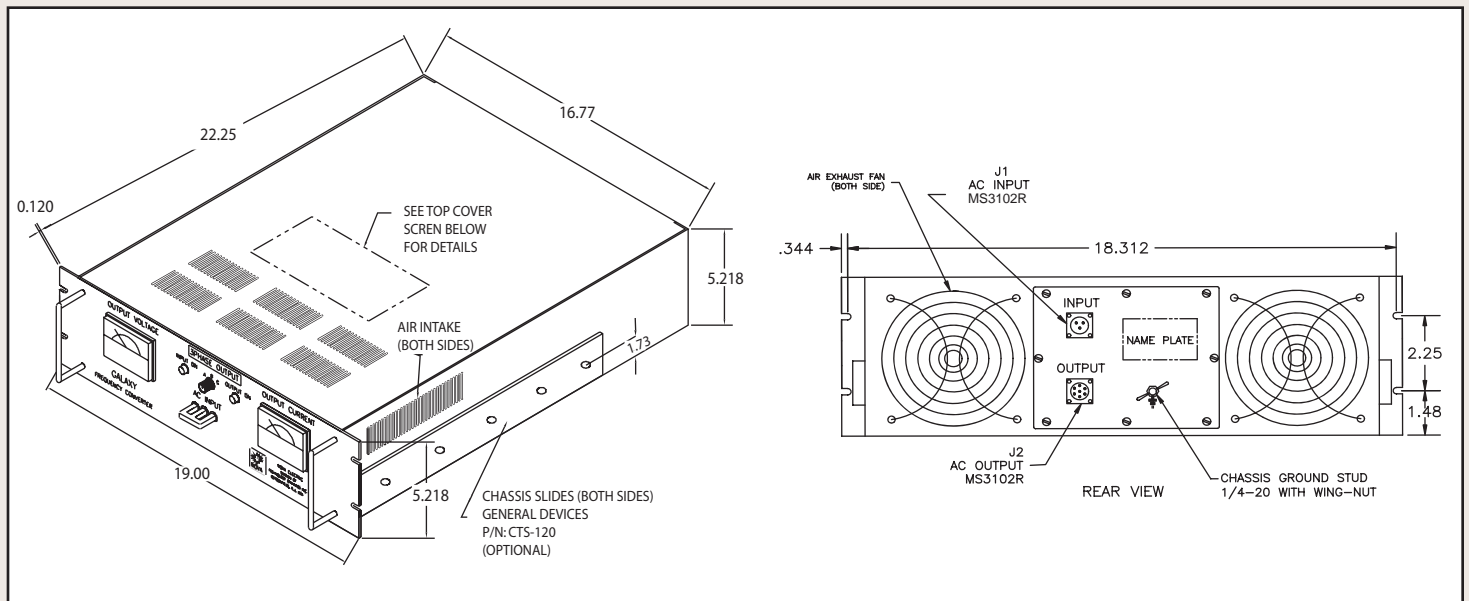
Operating Temp.:  $-20^{\circ}$  to  $+50^{\circ}$ C  
 Storage Temp. Range:  $-40^{\circ}$  to  $+71^{\circ}$ C  
 Humidity: to 95% RH non-condensing – Designed to meet MIL-STD-810.  
 All boards conformal coated with Acrylic MIL-I-46058 Type R.  
 Elevation: 15,000 Ft. typical  
 Shock: 20g, 11 mS half sinewave – Designed to meet MIL-STD-810 optionally  
 Audible Noise: 65 dBA at 5 ft. typical

### HIGH-RELIABILITY

MTBF: 30,000+ hours typical per MIL-HDBK-217  
 MTTR: Less than 30 minutes.

## MODEL SELECTION

PARTIAL MODEL NO.	KVA	OUTPUT VOLTAGE	OUTPUT FREQ. (HZ.)	WEIGHT	SIZE (H x W x L)
GLFC1.5K3/5 GLFC1.5K3/6	1.5	220/380 120/208	50 60	96	5.25" x 19.0" x 22.5"
GLFC1.5K3/4	1.5	115/200	400	96	5.25" x 19.0" x 22.5"
GLFC2K3/5 GLFC2K3/6	2	220/380 120/208	50 60	118	5.25" x 19.0" x 22.5"
GLFC2K3/4	2	115/200	400	118	5.25" x 19.0" x 22.5"
GLFC3K3/5 GLFC3K3/6	3	220/380 120/208	50 60	118	5.25" x 19.0" x 22.5"
GLFC3K3/4	3	115/200	400	118	5.25" x 19.0" x 22.5"
GLFC4.5K3/5 GLFC4.5K3/6	4.5	220/380 120/208	50 60	130	8.75" x 19.0" x 24.0"
GLFC4.5K3/4	4.5	115/200	400	130	8.75" x 19.0" x 24.0"



WEB : [www.novaelectric.com](http://www.novaelectric.com)

E-Mail : [novasales@theallpower.com](mailto:novasales@theallpower.com)

PHONE : (201) 385-0500 FAX : (201) 385-0702



**NOVA ELECTRIC**

A Division of  
 LOGY DYNAMICS, INC.

100 School St., Bergenfield 07621



ISO 9001