

RUGGED AIRCRAFT GALAXY™ SERIES TRUE ONLINE UPS 1 - 1.5 - 2 KVA 19" Rack Mount 4U High



APPLICATIONS

Utilizing field proven technology, this family of rugged solid-state sinewave frequency converters is suitable for harsh environments and can be customized for unique applications including:

- Helicopters
- Tactical Systems
- Shelters
- MIL-STD-810
- MIL-STD-901
- Aircraft
- Mobile Systems
- Ground support
- MIL-STD-461
- MIL-STD-167



NOVA ELECTRIC
www.novaelectric.com
novasales@theallpower.com



A Leader in UPS Technology since 1966 - 500VA to 500KVA

MADE IN THE USA

TRUE ONLINE RUGGED AIRCRAFT UPS

CAN MEET MIL-STD-810, MIL-STD-1399, MIL-STD-901, MIL-STD-704, & MIL-STD-461 OPTIONALLY

APPLICATIONS

This Aircraft Galaxy Series UPS System is specifically designed for airborne applications. The UPS has a three-phase input of 115/200 VAC, 400 Hz and a pure sinewave output of 120 VAC, 60Hz Single-Phase. This model contains all the features standard on other Galaxy Series units, as well as additional features that make it ideal for aircraft applications, including additional ruggedization, an internal EMI reduction package, and premium long life batteries.

OPTIONS

- Single-Phase Input
- EPO Circuit
- MS Connector Mates
- Chassis Slides
- True RS-232 Interface Port
- Run Time to 24+ Hours
- Custom Cabinets & Turnkey Solutions
- SNMP

SPECIFICATIONS

ELECTRICAL

Frequency: Specify 50, 60, or 400Hz
 Voltage Regulation: $\pm 1\%$ NL to FL
 Frequency Regulation: $\pm 0.5\%$ NL to FL
 Harmonic Distortion: 5% THD
 Load Power Factor: 0.7 lead to 0.7 lag
 Efficiency at full load: 75-80% typical
 Overload: 125% for 5 minutes

INTERNAL BATTERIES

Premium 8-10 year life wide temp batteries which are sealed, maintenance-free, and user replaceable.

PROTECTIVE FEATURES

AC & DC Input Circuit Breakers, Low Battery Shut Off, Overload & Thermal Protected, Input Under / Overvoltage Protected, Audible Alarm with Silence Switch

ENVIRONMENTAL

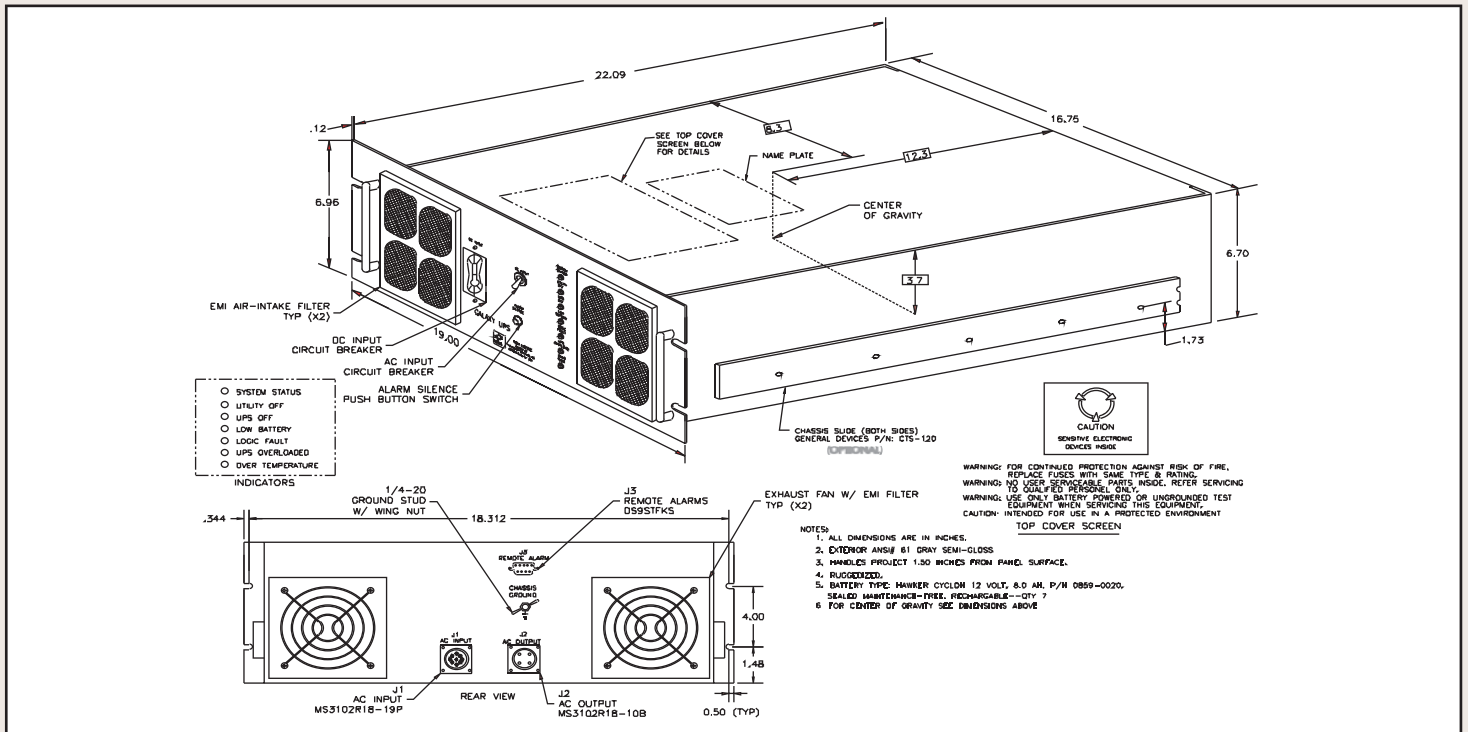
Operating Temp.: -20° to $+50^{\circ}\text{C}$
 Storage Temp. Range: -40° to $+60^{\circ}\text{C}$
 Humidity: to 95% non-condensing
 Elevation: 15,000 Ft. (4,572m) operating;
 40,000 ft. (12,192m) non-operating
 Shock/Vibration: per MIL-STD-810
 Audible Noise: Less than 55 dbA at 5 ft.
 EMI: per MIL-STD-461

ALARMS & DIAGNOSTICS

System Status (Green/Red)
 Utility Off (Red) UPS Overload (Red)
 UPS Off (Red) Over Temp. (Red)
 Low Battery (Red)
 Logic Fault (Red)
 Alarm Contacts: Standard
 RS 232: Optional
 SNMP: Optional

MODEL SELECTION

| PARTIAL MODEL SELECTION | KVA | INPUT | OUTPUT | UPS LBS | RUN TIME |
|---------------------------|-----|-------------|---------|---------|----------|
| GRSL11-1K60-115/200-120 | 1 | 115/200 VAC | 120 VAC | 110 | 15 MIN. |
| GRSL11-1.5K60-115/200-120 | 1.5 | 115/200 VAC | 120 VAC | 120 | 10 MIN. |
| GRSL11-2K60-115/200-120 | 2 | 115/200 VAC | 120 VAC | 130 | 5 MIN. |



WEB : www.novaelectric.com
 E-Mail : novasales@theallpower.com
 PHONE : (201) 385-0500 FAX : (201) 385-0702



NOVA ELECTRIC
 A Division of
 TECHNOLOGY DYNAMICS, INC.
 100 School St., Bergenfield NJ 07621



ISO 9001