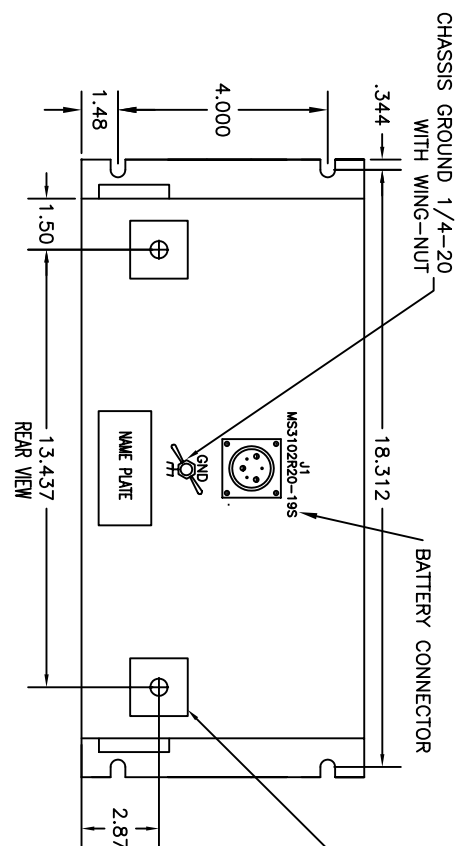
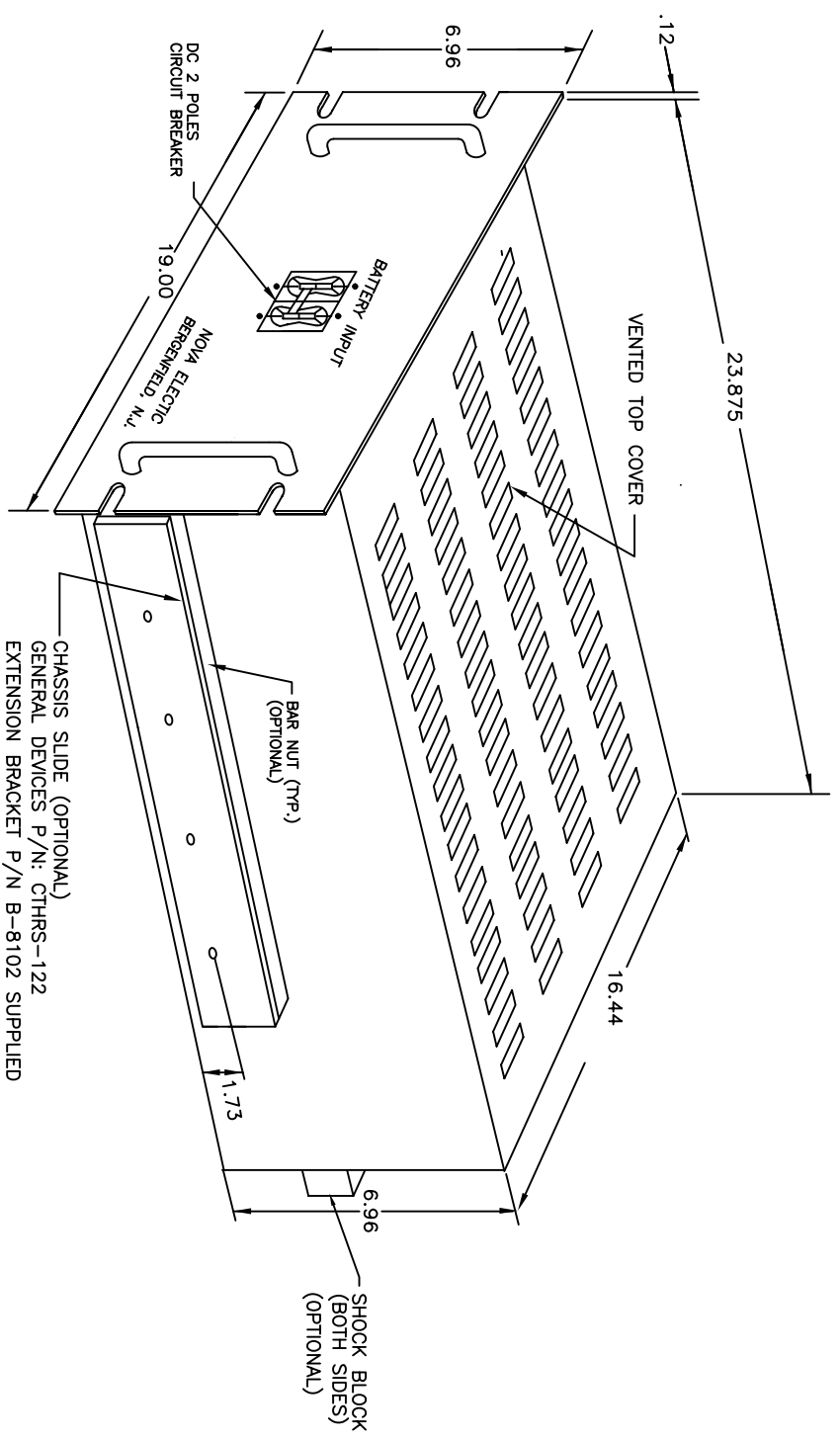


REVISIONS				
SYM	DESCRIPTION	BY	APP	DATE
-				



1.50X1.50X1.00THK SHOCK BLOCK MOUNTED TO EXTERIOR SURFACE .375 DIA PIN SUPPLIED (2)PLS (OPTIONAL)

NOTES:

1. ALL DIMENSIONS ARE IN INCHES.
2. EXTERIOR ANS# 61 GRAY SEMI-GLOSS
3. AIR INTAKE HOLES ON CHASSIS BOTTOM.
4. HANDLES PROJECT 1.50 INCHES FROM PANEL SURFACE.
5. APPROXIMATE WEIGHT: 250 LBS.
6. BATTERY TYPE: 12V, 17AH/20HR SEALED MAINTENANCE-FREE, RECHARGABLE--QTY 16.

UNLESS OTHERWISE SPECIFIED, DIMENSIONS ARE IN INCHES. FRACTIONS (USE DECIMALS ANGLES) .0005 ± .005 .001 ± .005 .01 ± .005		THIS DRAWING CONTAINS PROPRIETARY INFORMATION AND IS TO BE KEPT CONFIDENTIAL AND NOT REPRODUCED OR COPIED WITHOUT THE PERMISSION OF NOVA ELECTRIC.		NOVA ELECTRIC, INC. A DIV OF FRANKLIN ELECTRIC, INC. 100 SCHOOL STREET BERGENFIELD, N.J. 07621-2915	
MATERIAL:	FINISH:	DATE:	DATE:	DATE:	DATE:
-	-	10/23/03	10/23/03	10/23/03	10/23/03
TITLE: BATTERY PACK		SIZE: 980913	SCALE: 1/1	CASE: 29019	SHEET: 1 OF 1