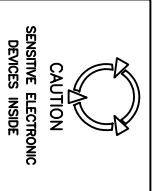
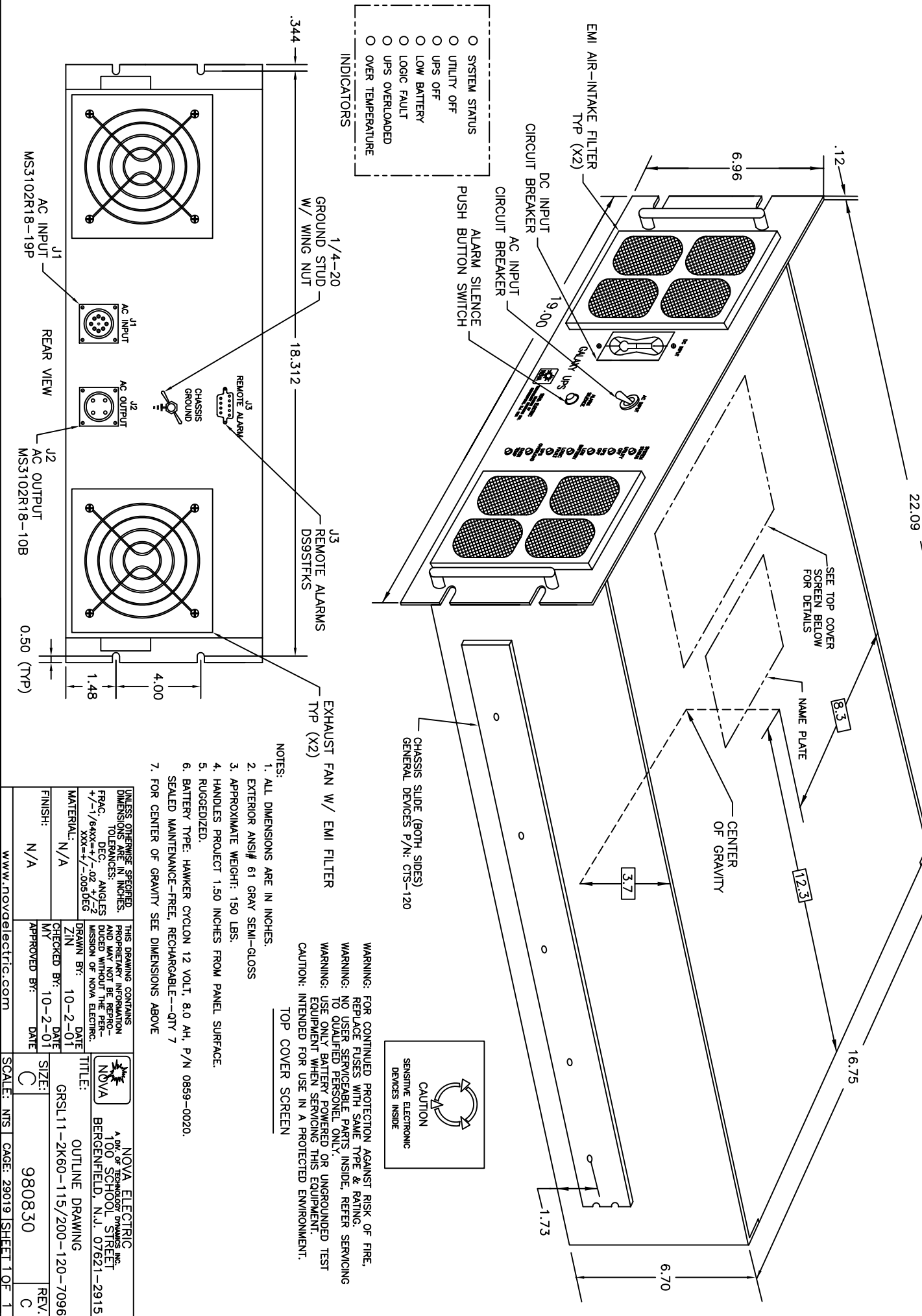


REVISIONS					
SYM	DESCRIPTION	BY	APP	DATE	
A	UPDATED	ZIN	WT	2-5-02	
B	AD CENTER OF GRAVITY	V.T.	WT	05/21/02	
C	CHANGE TO 8.3 WAS 12.3	V.T.	WT	05/22/02	



WARNING: FOR CONTINUED PROTECTION AGAINST RISK OF FIRE, REPLACE FUSES WITH SAME TYPE & RATING.  
WARNING: NO USER SERVICEABLE PARTS INSIDE, REFER SERVICING TO QUALIFIED PERSONNEL ONLY.  
WARNING: USE ONLY BATTERY POWERED OR UNROUNDDED TEST EQUIPMENT WHEN SERVICING THIS EQUIPMENT.  
CAUTION: INTENDED FOR USE IN A PROTECTED ENVIRONMENT.

NOTES:  
1. ALL DIMENSIONS ARE IN INCHES.  
2. EXTERIOR ANS# 61 GRAY SEMI-GLOSS  
3. APPROXIMATE WEIGHT: 150 LBS.  
4. HANDLES PROJECT 1.50 INCHES FROM PANEL SURFACE.  
5. RUGGEDIZED.  
6. BATTERY TYPE: HAWKER CYCLON 12 VOLT, 8.0 AH, P/N 0859-0020.  
7. SEALED MAINTENANCE-FREE, RECHARGABLE--QTY 7  
8. FOR CENTER OF GRAVITY SEE DIMENSIONS ABOVE

EXHAUST FAN W/ EMI FILTER TYP (X2)

1/4--20 GROUND STUD W/ WING NUT

- INDICATORS
- SYSTEM STATUS
  - UTILITY OFF
  - UPS OFF
  - LOW BATTERY
  - LOGIC FAULT
  - UPS OVERLOADED
  - OVER TEMPERATURE

UNLESS OTHERWISE SPECIFIED DIMENSIONS ARE IN INCHES. TOLERANCES: DEC ANGLES +/-.1/8XXX-+/- .02 XXXX+/- .006 DEC		THIS DRAWING CONTAINS PROPRIETARY INFORMATION AND MAY NOT BE REPRODUCED WITHOUT THE PERMISSION OF NOVA ELECTRIC.	
MATERIAL: N/A	DATE: 10-2-01	DRAWN BY: ZIN	CHECKED BY: DATE: 10-2-01
FINISH: N/A	DATE: 10-2-01	APPROVED BY: DATE: 10-2-01	
TITLE: OUTLINE DRAWING		NOVA ELECTRIC A DIV. OF TECHNOLOGY DRAWINGS INC. 100 SCHOOL STREET BERGENFIELD, N.J. 07621-2915	
GRS111-2K60-115/200-120-7096		SCALE: NTS CAGE: 29019 SHEET 1 OF 1	
SIZE: 980830		REV: C	
www.novaelectric.com			