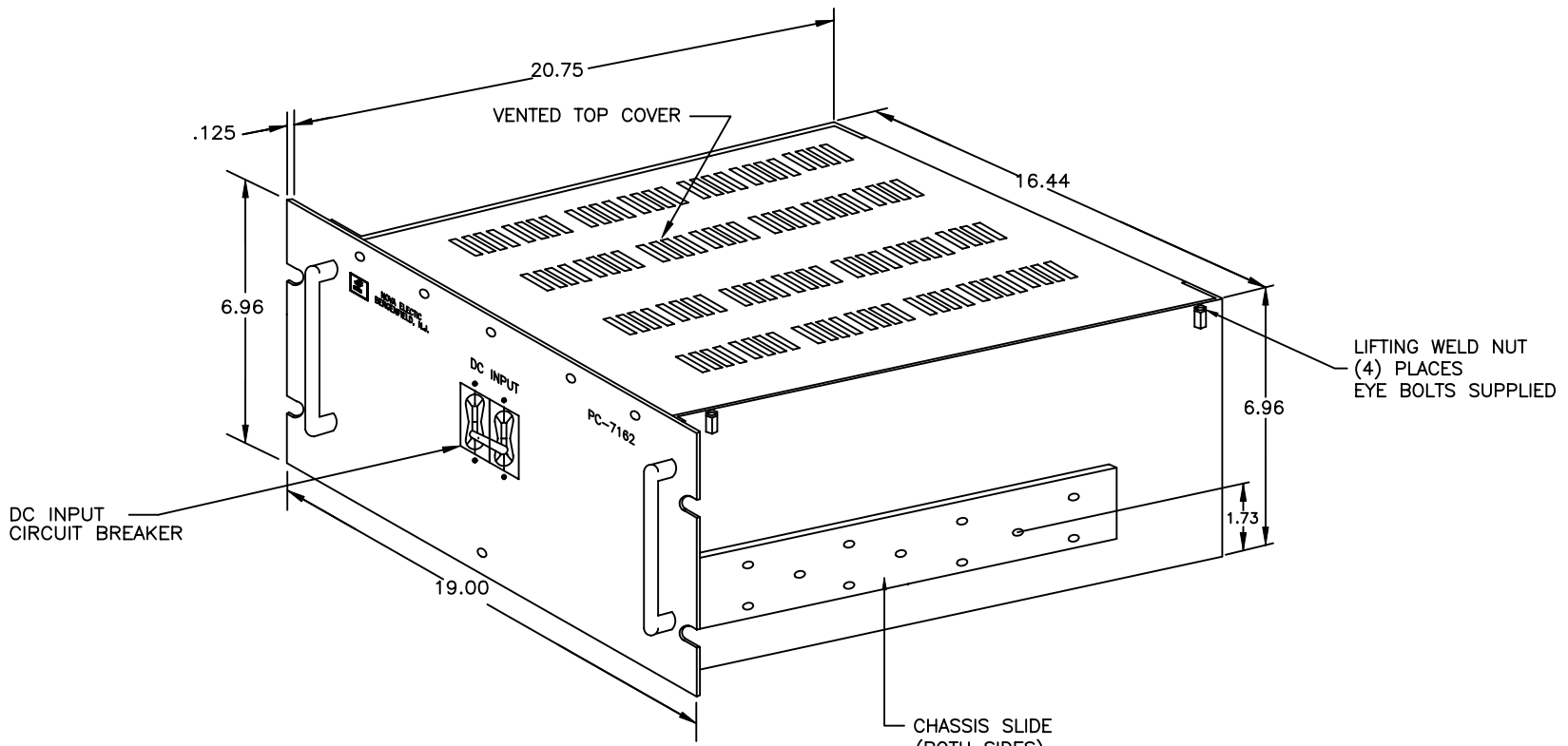
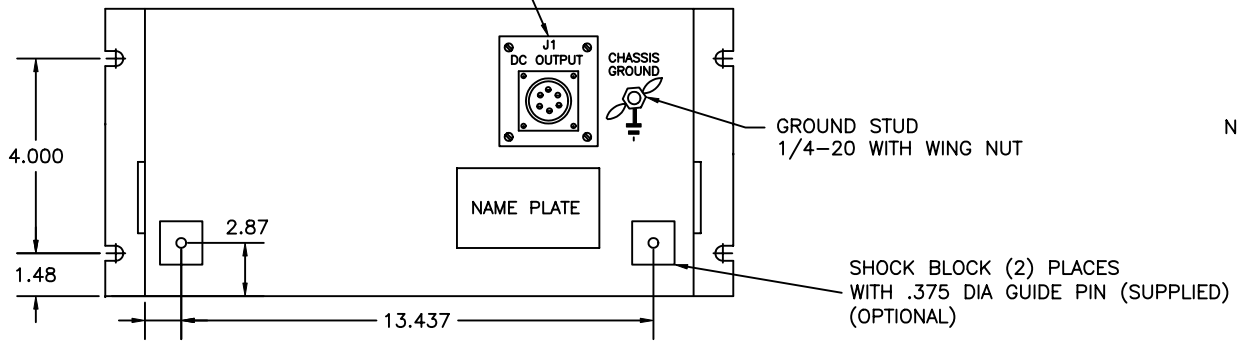


| REVISIONS | | | | | |
|-----------|-------------|-----|-----|---------|--|
| SYM | DESCRIPTION | BY | APP | DATE | |
| A | UPDATED | ZIN | MY | 5-16-01 | |



- DC OUTPUT CONNECTOR
 PC1 - MS3102R28-22SW
 PC2 - MS3102R28A16S
 PC3 - MS3102R28-22SX



- NOTES:
 1. ALL DIMENSIONS ARE IN INCHES.
 2. EXTERIOR COLOR GREY #26440 (FED-STD-595)
 3. AIR INTAKE HOLES ON CHASSIS BOTTOM.
 4. HANDLES PROJECT 1.50 INCHES FROM FRONT PANEL SURFACE.

REAR VIEW

| | |
|------------|---------------------|
| 201 LBS | PC1-156-7162 |
| 201 LBS | PC3-156-7162 |
| 214 LBS | PC2-84-2-7162 |
| NEXT ASS'Y | USED ON APPLICATION |

| | |
|--|-----|
| UNLESS OTHERWISE SPECIFIED DIMENSIONS ARE IN INCHES. TOLERANCES: FRAC. DEC. ANGLES +/-1/64XX=+/-02 +/-2 XXX=+/-005DEG | |
| MATERIAL: | N/A |
| FINISH: | N/A |

| | |
|--|---------|
| THIS DRAWING CONTAINS PROPRIETARY INFORMATION AND MAY NOT BE REPRODUCED WITHOUT THE PERMISSION OF NOVA ELECTRIC. | |
| DRAWN BY: | DATE |
| ZIN | 3-30-01 |
| CHECKED BY: | DATE |
| MY | 3-30-01 |
| APPROVED BY: | DATE |
| MY | 5-17-01 |

| | | |
|---|--|-----------|
| | NOVA ELECTRIC A DIV. OF TECHNOLOGY DYNAMICS INC. 100 SCHOOL STREET BERGENFIELD, N.J. 07621-2915 | |
| | TITLE: OUTLINE DRAWING TYPICAL GALAXY BATTERY PACK | |
| SIZE: C | 980810 | REV. A |
| SCALE: 1:1 CAGE: 29019 SHEET 1 OF 1 | | |