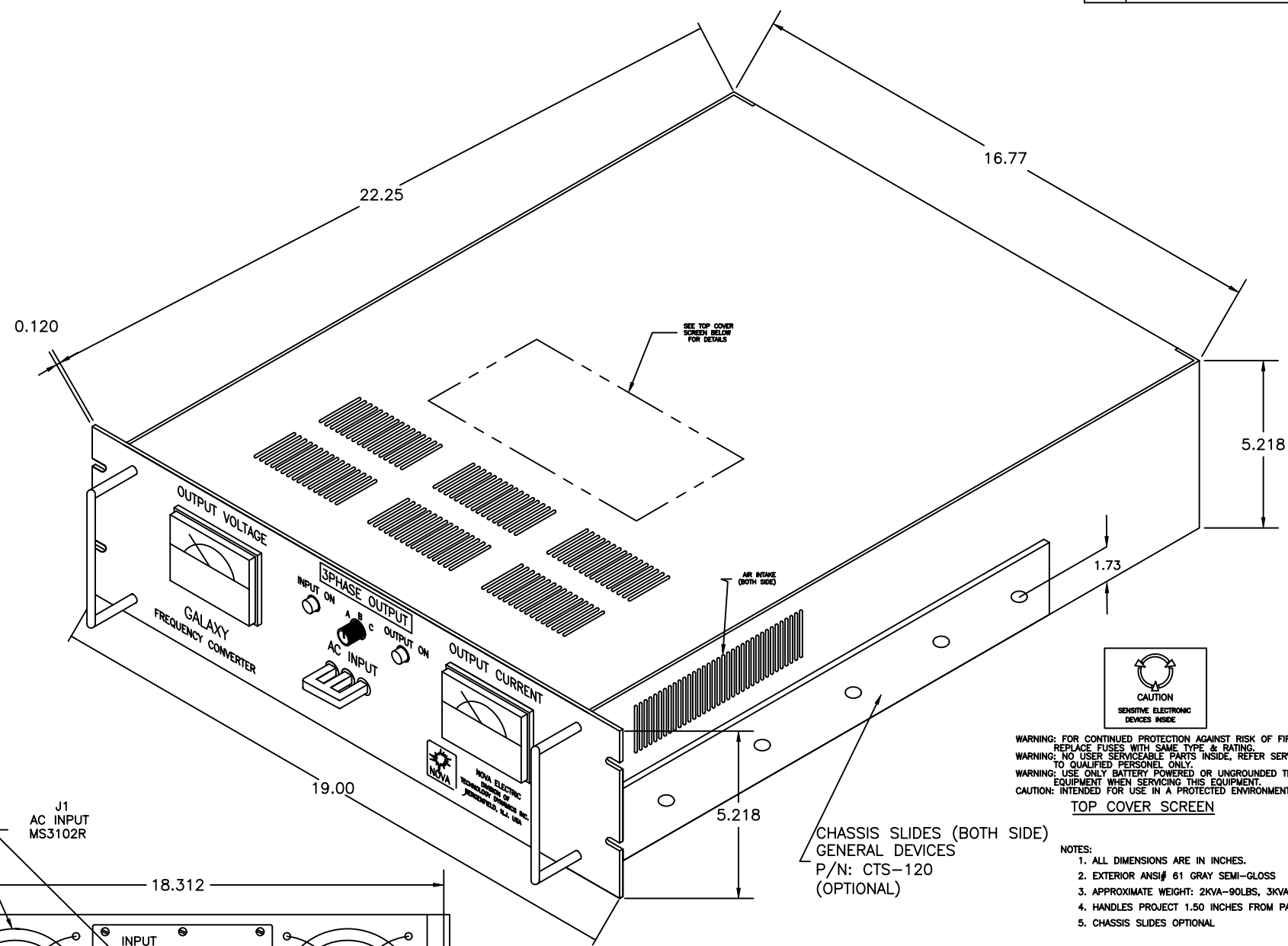


| REVISIONS |             |    |     |      |
|-----------|-------------|----|-----|------|
| SYM       | DESCRIPTION | BY | APP | DATE |
|           |             |    |     |      |

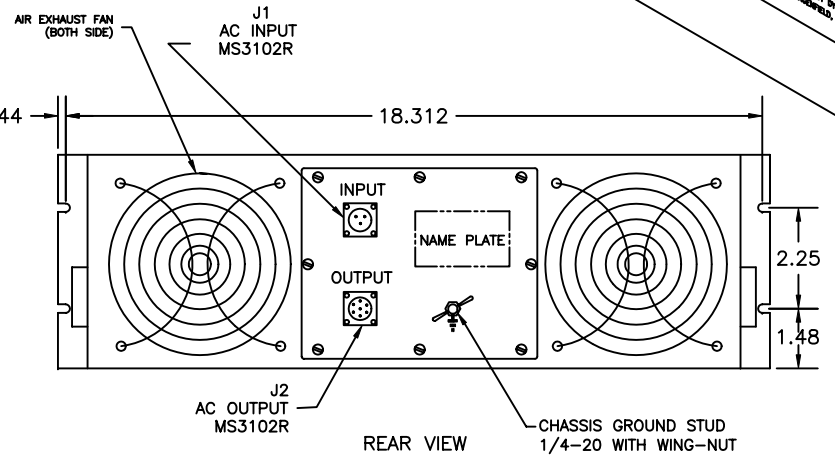


WARNING: FOR CONTINUED PROTECTION AGAINST RISK OF FIRE, REPLACE FUSES WITH SAME TYPE & RATING.  
 WARNING: NO USER SERVICEABLE PARTS INSIDE, REFER SERVICING TO QUALIFIED PERSONNEL ONLY.  
 WARNING: USE ONLY BATTERY POWERED OR UNGROUNDED TEST EQUIPMENT WHEN SERVICING THIS EQUIPMENT.  
 CAUTION: INTENDED FOR USE IN A PROTECTED ENVIRONMENT.

**TOP COVER SCREEN**

CHASSIS SLIDES (BOTH SIDE)  
 GENERAL DEVICES  
 P/N: CTS-120  
 (OPTIONAL)

- NOTES:
1. ALL DIMENSIONS ARE IN INCHES.
  2. EXTERIOR ANSII# 61 GRAY SEMI-GLOSS
  3. APPROXIMATE WEIGHT: 2KVA-90LBS, 3KVA-105LBS
  4. HANDLES PROJECT 1.50 INCHES FROM PANEL SURFACE.
  5. CHASSIS SLIDES OPTIONAL.



|  |  |                             |  |
|--|--|-----------------------------|--|
| UNLESS OTHERWISE SPECIFIED DIMENSIONS ARE IN INCHES. TOLERANCES:<br>FRAC. DEC. ANGLES<br>+/-1/64XX=+/-02 +/-2<br>XXX=+/-005DEG | THIS DRAWING CONTAINS PROPRIETARY INFORMATION AND MAY NOT BE REPRODUCED WITHOUT THE PERMISSION OF NOVA ELECTRIC. |                             | NOVA ELECTRIC<br>A DIV. OF TECHNOLOGY DYNAMICS INC.<br>100 SCHOOL STREET<br>BERGENFIELD, N.J. 07621-2915 |
|  | MATERIAL:<br>N/A   | DRAWN BY: DATE<br>TP 8-9-00 |  |
| FINISH:<br>N/A   | CHECKED BY: DATE<br>MY 8-9-00  | APPROVED BY: DATE           | SCALE: NTS   |
| CAGE: 29019  |  | SHEET 1 OF 1                | REV. -   |