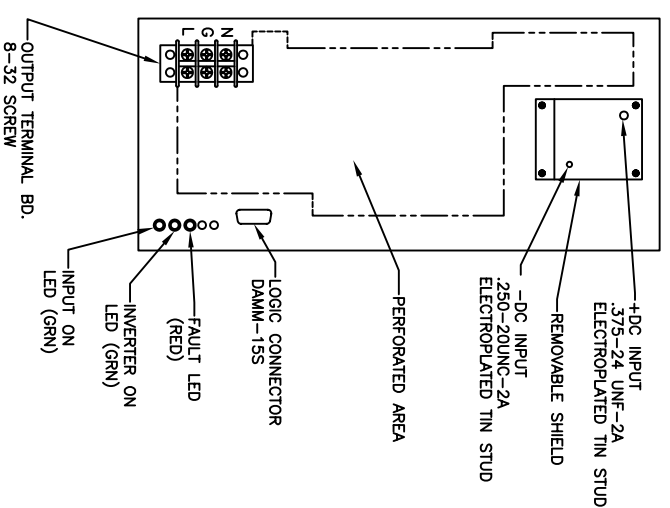
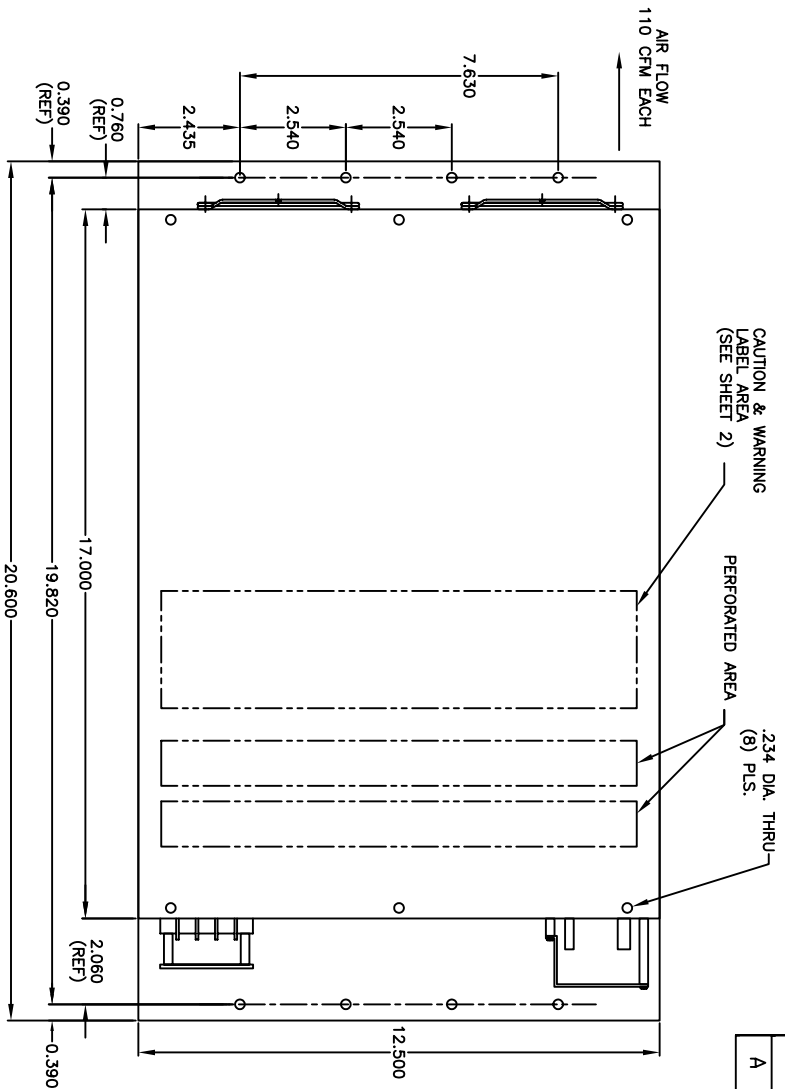
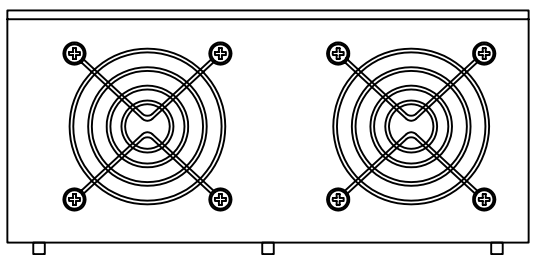
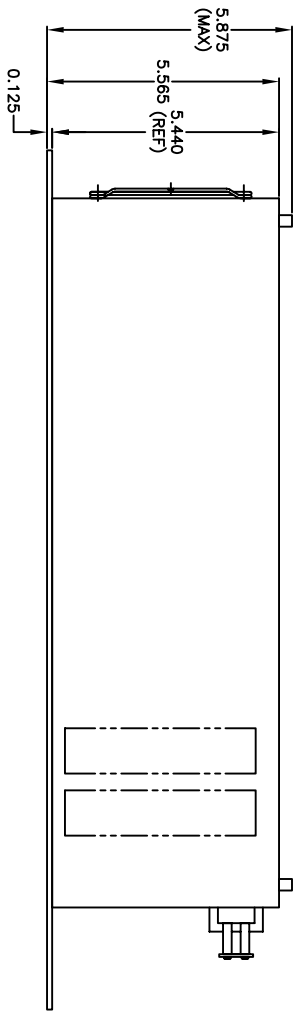


REVISIONS

SYM	DESCRIPTION	BY	APP	DATE
A	CH. PIN FUNCTION FOR LOGIC CONNECTOR	VJK	JL	09/29/05



LOGIC CONNECTOR		
DESC.	PIN	FUNCTION
INVERTER RELAY CONTACTS	2	INVERTER ON
	3	INVERTER OFF
	4	ARM



NVVA ELECTRIC
A DIV. OF TERMINATOR PHENIX INC.
100 SCHOOL STREET
BERGENFIELD, N.J. 07621-2915

TITLE: OUTLINE DWG

GL SERIES 3KVA LIGHTWEIGHT INVERTER

SIZE: B	980543	REV. A
SCALE: NTS	CAGE: 29019	SHEET 1 OF 2