

RUGGED GALAXY™ SERIES PURE-SINEWAVE DC-AC INVERTERS

Input: 210-280 VDC

Output: 120V or 220V 1Ø
50, 60, or 400 Hz

Power: 500 VA - 35+ KVA



APPLICATIONS

Utilizing field proven technology, this family of rugged pure sinewave DC-AC Inverters is suitable for harsh environments and can be customized for unique applications including:

- Shelters
- Steel Mills
- Tactical Systems
- Aluminum Mills
- Ground support
- Crane Applications
- MIL-STD-810
- MIL-STD-461
- MIL-STD-901
- MIL-STD-1399



NOVA ELECTRIC

www.novaelectric.com

novasales@theallpower.com



ISO 9002
FILE: A5269

A Leader in DC-AC Inverter Technology since 1966 - 500VA to 35+KVA

RUGGED PURE SINEWAVE DC-AC INVERTER

CAN MEET MIL-STD-810, MIL-STD-1399, MIL-STD-901, MIL-STD-704, & MIL-STD-461 OPTIONALLY

APPLICATIONS

The transformer isolated Galaxy Series Inverters are extremely rugged by design, and feature an advanced Internal Suppression Filter Network (ISFN) to suppress the significant transients usually associated with steel industry and military applications. The units are also extremely reliable, designed to provide many years of service in harsh shock, vibration, humidity, and EMI environments.

HIGH-RELIABILITY

MTBF: 30,000 Hours

MTBR: 30 Minutes (assuming qualified tech)

STANDARD INDICATORS

- Input Power On Lamp

SPECIFICATIONS

ELECTRICAL

Input: 210-280VDC (Extended Available)

Output: specify 120 or 220VAC 1Ø

(Three-Phase Output Optional)

Frequency: Specify 50, 60, or 400Hz

Voltage Regulation: $\pm 2\%$ NL to FL

Frequency Regulation: $\pm 0.5\%$ NL to FL

Harmonic Distortion: 5% THD

Power Factor: 0.7 lead to 0.7 lag

Efficiency at full load: 85% typical

Overload: 125% for 5 minutes

PROTECTIVE FEATURES

Current Limit, Short Circuit Protection,

Thermal Protection, Semiconductor

Protection, and ISFN

ENVIRONMENTAL

Operating Temp.: -20° to $+50^{\circ}$ C

Storage Temp. Range: -40° to $+71^{\circ}$ C

Humidity: to 95% non-condensing

Elevation: 15,000 Ft. (4.572m) operating;

40,000 ft. (12.192m) non-operating

Shock: 30g for 11mS

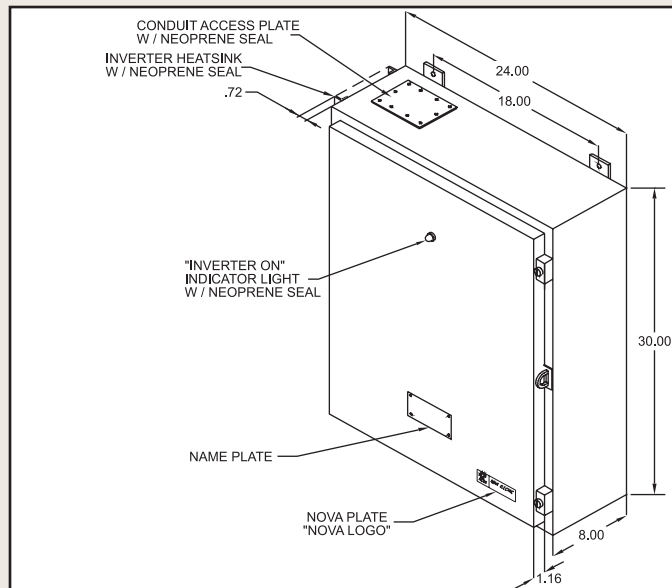
Audible Noise: Less than 55 dbA at 5 ft.

POPULAR OPTIONS

- Ruggedization
- Chassis Slides (G Models 1-5KVA)
- Additional Meters
- Static Transfer Switch

MODEL SELECTION

MODELS	OUTPUT VAC	OUTPUT FREQ.	OUTPUT POWER	WEIGHT (LBS)	DIMENSIONS H x W x D (Inches)
G5060-240	120	60	500 VA	88	5.25 x 16.60 x 14.00
GH5060-240	120	60	500 VA	90	24.00 x 20.75 x 7.15
G1K60-240	120	60	1 KVA	93	5.25 x 19.00 x 22.00
GH1K60-240	120	60	1 KVA	95	24.00 x 20.75 x 7.15
G2K60-240	120	60	2 KVA	120	5.25 x 19.00 x 22.00
GH2K60-240	120	60	2 KVA	170	30.00 x 24.00 x 8.00
G3K60-240	120	60	3 KVA	130	8.75 x 19.00 x 23.00
GH3K60-240	120	60	3 KVA	185	30.00 x 26.30 x 11.20
G5K60-240	120	60	5 KVA	190	8.75 x 19.00 x 23.00
GH5K60-240	120	60	5 KVA	200	30.00 x 26.30 x 11.20
GH7.5K60-240	120	60	7.5 KVA	230	36.00 x 24.00 x 17.20
GH10K60-240	120	60	10 KVA	260	36.00 x 24.00 x 17.20
GH15K60-240	120	60	15 KVA	350	42.00 x 30.00 x 21.20
GH20K60-240	120	60	20 KVA	550	54.00 x 36.00 x 21.20
GH25K60-240	120	60	25 KVA	700	54.00 x 36.00 x 21.20
GH30K60-240	120	60	30 KVA	900	60.00 x 48.00 x 18.00
GH35K60-240	120	60	35 KVA	1100	60.00 x 48.00 x 18.00



TYPICAL GH2K60-240 CHASSIS

NOTES:

1. INVERTER CABINET HAS (4) MTG EARS THE BOTTOM (2) CANNOT BE SEEN IN THIS VIEW
2. FINISH: ANSI #61 GREY, SEMIGLOSS
3. ENCLOSURE TYPE: NEMA 12

WEB : www.novaelectric.com

E-Mail : novasales@theallpower.com

PHONE : (201) 385-0500 FAX : (201) 385-0702



NOVA ELECTRIC

A Division of

TECHNOLOGY DYNAMICS, INC.

100 School St., Bergenfield NJ 07621



ISO 9002
A5269