



SMART UPS SOFTWARE

RACK MOUNT  
**GALAXY-HF™**  
**ON-LINE UPS**



- ❑ TRUE ON LINE SINEWAVE OUTPUT
- ❑ REGULATED VOLTAGE AT ALL TIMES
- ❑ TRANSIENT & LIGHTNING PROTECTION
- ❑ SMART RS232 COMMUNICATION
- ❑ ADVANCED MICROPROCESSOR DESIGN
- ❑ HIGH RELIABILITY AT LOW COST
- ❑ RACK MOUNT CONFIGURATION



**NOVA ELECTRIC**  
[www.novaelectric.com](http://www.novaelectric.com)  
[novasales@theallpower.com](mailto:novasales@theallpower.com)

# GALAXY-HF ON LINE UPS

## Load Protection

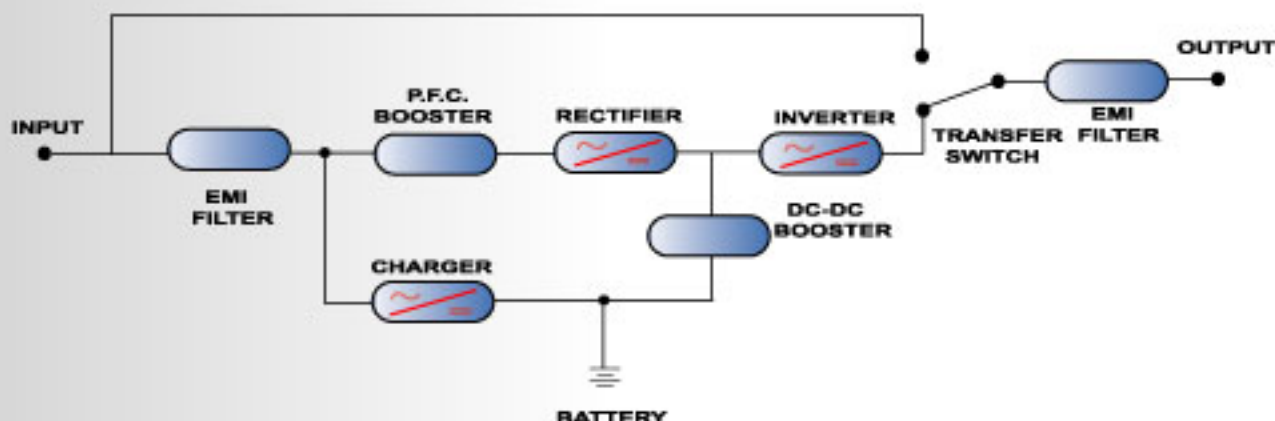
- Protection against power failure
- Shorted output protection
- Lightning and surge protection
- Eliminates input line noise
- Brownout and overvoltage correction
- Regulates against line voltage variations

## Applications

- Personal computers
- Workstations and networks
- Telecommunications system
- Mobile electronics
- Military equipment
- Electric utilities

## Online technology with STS Bypass

The UPS provides clean sinewave AC power at all times. The double conversion configuration keeps the inverter working constantly, ensuring that no interruption will occur in case of AC input power failure. The Solid State Transfer Switch guarantees the AC power automatically switches directly through to the output of the UPS.



## Plug and Play

The GALAXY-HF UPS systems are ready for operation. Just connect the UPS to the PC or network, plug it in and turn it on.

## Micro-Processor Control

The traditional complex hardware circuitry is embedded in the most advanced microprocessor to reduce the failure rate and save space.

**NOVA ELECTRIC division of TECHNOLOGY DYNAMICS INC.**

100 SCHOOL STREET, BERGENFIELD, N.J. 07621, USA  
www.novaelectric.com novasales@theallpower.com  
Tel (201) 385-0500 Fax (201) 385-0702

# GALAXY-HF ON LINE UPS

## PFC Technology

Higher efficiency is attained using high input power factor correction technology together with the latest IGBT power factor components, in compliance with the latest European certification requirements.

## Auto-Sensing

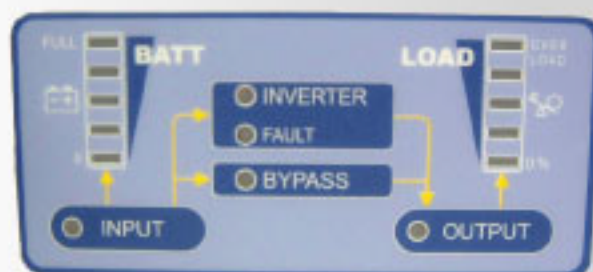
Upon power on, the UPS will start to perform a self-test on its components and the load, so as to detect problems immediately and prevent any errors.

## Self protection feature

The UPS is equipped with a self-protection feature, and shuts itself down upon detection of overload, short-circuit, low battery voltage or excessive temperature.

## User friendly control panel

All operational and load conditions are indicated by LEDs. The audible alarm also warns of critical operational conditions.



**STATUS DISPLAY**

## RS-232 Serial Interface

Used in conjunction with software operations, the RS-232 interface enables the UPS to be monitored directly via computer, to display the operating status on the PC monitor and simplify network management tasks.

## Software Interface

The UPS will work with popular monitoring software, via its RS232 interface, to provide valuable user information about UPS status. Software can monitor in real time, parameters that include load levels, voltage levels, battery status, etc.

Available software can be used to provide smart automatic file saving, close applications, and provide power event recording and analysis.

Typical software packages include UPSilon 2000, RUPS 2000, ClientMate, and others. Network support available through ClientMate software. Multiple operating systems supported.

### **NOVA ELECTRIC division of TECHNOLOGY DYNAMICS INC.**

100 SCHOOL STREET, BERGENFIELD, N.J. 07621, USA  
www.novaelectric.com novasales@theallpower.com  
Tel (201) 385-0500 Fax (201) 385-0702

# RACK MOUNT HIGH FREQUENCY GALAXY-HF ON LINE UPS

## SPECIFICATIONS

Model	GRSLHF11-1K	GRSLHF11-2K	GRSLHF11-3K
Power Rating	1000 VA	2000 VA	3000 VA
<i>Input Specifications</i>			
Voltage	80-138 VAC or 160-276 VAC		
Frequency	50 Hz/60 Hz +/- 5%	UPS locks automatically to line frequency	
Power Factor	0.99	Active Power Factor Correction	
<i>Output Specifications</i>			
Voltage	110 V/120 V or 220 V / 230 V / 240 V		
Frequency	50 Hz/60 Hz(auto tracking)		
Voltage Regulation	+/- 2%		
Distortion	<3% THD		
Waveform	Pure sinewave		
Overload capacity	10 seconds at 110%, load, 200ms at 150% load		
Crest Ratio	3:1	Until current limit is reached	
Efficiency(full load)	85% (AC to AC)		
<i>Battery, alarms and indicators</i>			
Battery Voltage	36 V/3 or 6 pcs	72 V/6 pcs	96 V/ 8pcs separate battery unit
Type	Maintenance free sealed lead-acid 12V/7AH		
Back-up time (min)	full load/0.8 pf	5/16	6
	half load/0.8 pf	16/35	17
On-Line Operation	Zero break at input line loss and recovery		
Transfer Time	Uninterrupted transfer of 100% load from UPS to bypass & vice versa		
Indicator	Load status, Battery status, UPS Operation status		
Audible Alarm	DC mode : every 4 seconds UPS Abnormal : continuous		
Noise Level	< 45 dBA(at 1 meter distance)		
Communication Interface	RS-232 and contact relay		
<i>Environmental Specifications</i>			
Operating Temperature	0°C to 40°C	0°C to 40°C @ 25% Derating	
Humidity	10% to 90% (non condensing)		
<i>Mechanical Specifications</i>			
Weight/(lb /kgs)	3 Bat 47/21	6 Bat 68/28	65/30
Dimensions	5.25"Hx19"Wx22"D 133.3x482.6x558.8 [mm]	5.25"Hx19"Wx22"D 133.3x482.6x558.8 [mm]	UPS 42/19 5.25"Hx19"Hx22"D (each) 133.3x482.6x558.8 [mm]

**NOVA ELECTRIC**  
 division of TECHNOLOGY DYNAMICS INC.  
 100 SCHOOL STREET, BERGENFIELD, N.J. 07621, USA  
 TEL (201) 385-0500 FAX (201) 385-0702  
[www.novaelectric.com](http://www.novaelectric.com) e-mail: [novasaes@theallpower.com](mailto:novasaes@theallpower.com)

