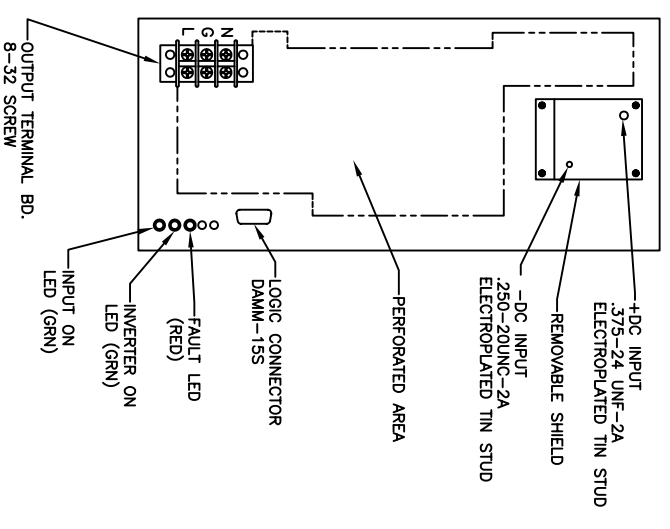
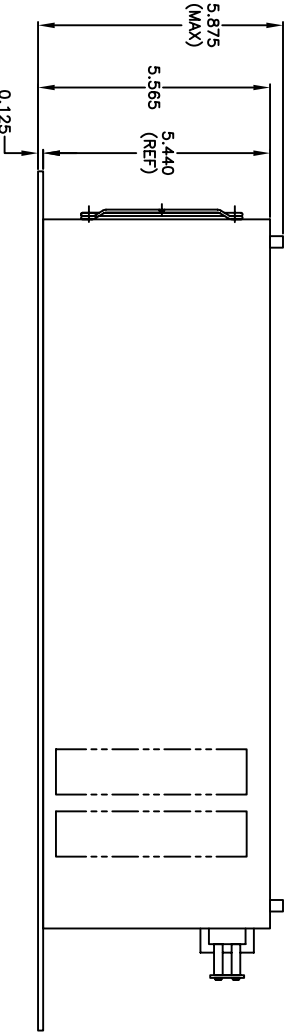
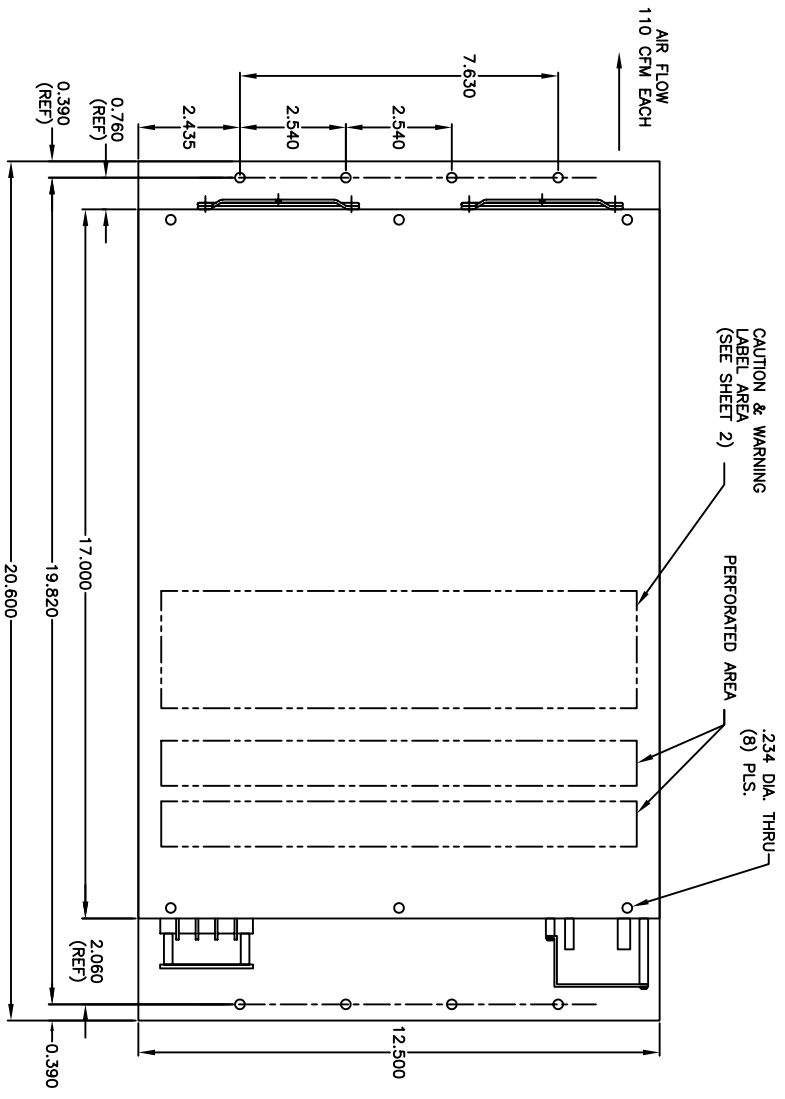



LOGIC CONNECTOR		
DESC.	PIN	FUNCTION
3 PHASE SYNC SIGNALS	1	PHASE A
	2	PHASE B
	3	PHASE C
	4	RETURN
OVER CURRENT	5	N/O
	6	N/C
	7	ARM
INVERTOR UNDER VOLTAGE	8	N/C
	9	N/O
	10	ARM
DC INPUT UNDER VOLTAGE	11	N/C
	12	N/O
	13	ARM
PHASE LOCK	14	LINE
	15	NEUTRAL



	
<b>NIVA ELECTRIC</b> <small>A DIV. OF TERMINATOR PHENIX INC.</small> 100 SCHOOL STREET BERGENFIELD, N.J. 07621-2915	
<b>TITLE:</b> OUTLINE DWG	
<b>GL SERIES 3KVA LIGHTWEIGHT INVERTER</b>	
<b>SIZE:</b> B	<b>980543</b>
<b>SCALE:</b> NTS	<b>SHEET 1 OF 2</b>
<b>REV.</b>	